

Bradford Fireseal® Curtain Wall Batts

Refer to product table below for applicable product codes covered by this document

Issue **D**

Product Type & Application

Bradford Fireseal® Curtain Wall Batts are non-combustible, plain (unfaced) Rockwool insulation. This product is suitable for use as a fire barrier, retarding the progress of fire and heat between floors of multi-storey buildings.

Compliance with the NCC

For use in Australia, when correctly specified and installed, this product provides the following compliance:

NCC 2019

- **Non-Combustibility** - Meets the non-combustible requirements of NCC 2019 Volume 1 Amend. 1 C1.9(a) when assessed in accordance with AS 1530.1.
- **Fire Hazard Properties** - Meets the requirements of the NCC 2019 Volume 1 Amend. 1, Specification C1.10 Clause 7 for insulation materials. When assessed to AS/NZS 1530.3 this product does not exceed the 'Spread of Flame' or 'Smoke Developed' indices of Specification C1.10 Clause 7.

NCC 2022

- **Non-Combustibility** - Meets the non-combustible requirements of NCC 2022 Volume 1 C2D10(1) when assessed in accordance with AS 1530.1.
- **Fire Hazard Properties** - Meets the requirements of the NCC 2022 Volume 1, S7C7 for insulation materials. When assessed to AS/NZS 1530.3 this product does not exceed the 'Spread of Flame' or 'Smoke Developed' indices of Table S7C7.

Evidence of Suitability

- Professional Assessment, AS 1530.1 -
 - Warringtonfire Assessment FAS210056.
- Professional Assessment, AS/NZS 1530.3 -
 - Warringtonfire Assessment FAS200045.
 - Warringtonfire Assessment FAS210154.
- Professional Assessment, AS 1530.4 -
 - Warringtonfire Assessment FAS190138. Please see **Limitations of Use** for details.

Conditions of Storage, Use & Maintenance

- Store in the original packaging in a cool, dry area, away from foodstuffs. Ensure packages are adequately labelled, protected from physical damage, and sealed when not in use. Avoid packaging being stored under UV light (direct sunlight) for long periods.

Refer to the product SUIs/MSDS at Bradfordinsulation.com.au for more information.

Specific Design or Installation Instructions

- Isolate power before installation.
- **Caution:** Electrical cables and equipment partially or completely surrounded with bulk thermal insulation may overheat and fail. In new build construction with electrical wiring in accordance with AS/NZS 3000:2018 or later, wiring may be partially or completely surrounded for up to 400mm. If more than 400mm is surrounded, or for wiring pre AS/NZS 3000:2018, seek advice from a licenced electrician. Refer to legislation and referenced standards for full details or seek advice from an electrician if in doubt.
- The product is designed to be installed between the edge of the concrete floor slab and a fire rated spandrel panel to provide floor to floor fire separation in multi-storey buildings.
- Fireseal® Curtain Wall Batts must be installed with at least 10% compression in the vertical opening between the edge of the concrete floor slab and a fire rated spandrel panel – parallel opening gap dimension to be in the range of 10mm to 150mm
- Fireseal® Curtain Wall Batts must be abutted to neighbouring/adjacent batts to provide a compressed fit into the joint.
- The Fireseal® Curtain Wall Batt will match the FRL of the fire rated spandrel panel of up to a maximum of 120 minutes.
- Installation guidance: Pre-compression of batts may be achieved out of position by compressing the batts between thin metal slip sheets and then inserting product into position before removing the metal slip sheets.
- Suitable for applications that specify non-combustible bulk insulation products - not suitable for exposed internal wall and ceiling lining applications that require a Group Number.
- Insulation should be installed so that it forms a continuous layer and abuts or overlaps adjoining insulation other than at supporting members such as columns, studs, noggings, joists, furring channels and the like where the insulation must butt against the member.
- Suitable for interior applications where the product is protected from UV light, water and wind pressure during and after installation.

For general installation guidance refer to the product installation guide at Bradfordinsulation.com.au

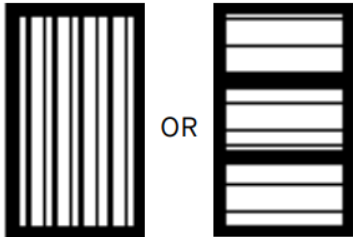
Supplementary information - Additional installation guidance for this product can be found in AS3999.

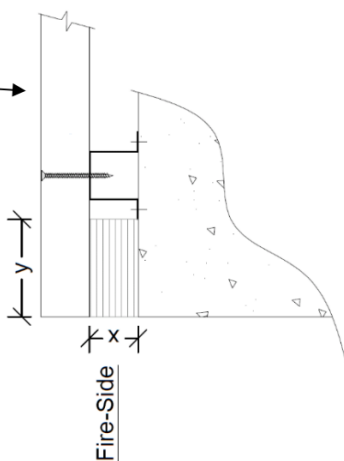
Rockwool Fireseal® Curtain Wall Batts

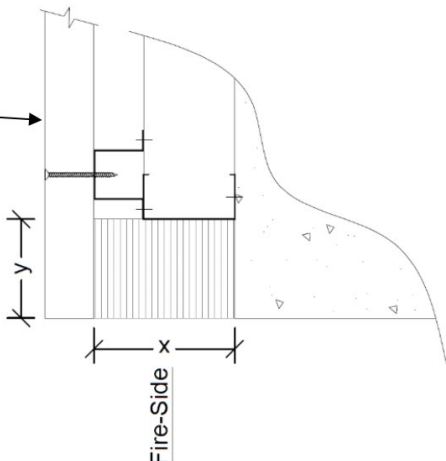
Limitations of Use

- **IMPORTANT:** Do Not Modify This Product: Compliance with the evidence of suitability data referenced in this document is only achieved by the product or configuration listed in this PTS.
- This product does not meet the fusion temperature requirements of AS 1668.1 – The use of ventilation and air conditioning in buildings, 2.3.2.
- This product is not suitable for use as an exposed internal wall or ceiling lining in applications which require a Group Number in accordance with AS ISO 9705 and AS 5637.1 (NCC 2019 Volume 1 Amend. 1, Specification C1.10 Clause 4, NCC 2022 Volume 1 S7C4).
- Unfaced Rockwool is not a water, air or vapour barrier and is not suitable for water, air or vapour control.
- Not suitable for use in BAL-FZ.
- AS 1530.4 assessment FAS190138 by Warringtonfire demonstrates the anticipated non-structural FRL in the systems nominated in the assessment. The suitability of this product for the specific system requirements in an application must be confirmed by the relevant project certifier, fire engineer or other principal certification authority.

Applicable Installed Thickness

GAP WIDTH (mm) - X	DEPTH OF WALL FILL (mm) - Y	THICKNESS OF CSR FIRESEAL® CURTAIN WALL BATT REQUIRED (mm)	ORIENTATION OF FIRESEAL® BATT	FRL
10	120	11		-/120/120
11-22	120	24		-/120/120
23-35	120	39		-/120/120
36-45	120	50		-/120/120
46-90	120	Combination of above thicknesses to ensure a minimum of 10% compression when fitted.		-/120/120
91-135	150			-/120/120





Application variations:

- The supporting floor construction varied from Hebel® to solid masonry or concrete of density varying from 737kg/m³ to 2400kg/m³ or otherwise tested by others to achieve the required FRL of the seal.
- The gap opening shall be at specific values in the range of 10mm to 150mm and the compression of the CSR Bradford Fireseal® Curtain Wall Batt shall be as tested or marginally increased.
- The depth of floor slab shall vary from 120mm or greater, so the supporting floor slab's FRL is no less than that of Fireseal® Curtain Wall Batt FRL performance expressed in the Applicable Installed Thickness table above.
- CSR Bradford Fireseal® Curtain Wall Batt FRL performance expressed in the Applicable Installed Thickness table above shall be further limited by the FRL performance of the abutting material, such as the FRL of a wall element made from masonry, AAC Hebel, Spandrel wall system, or curtain wall system.

Rockwool Fireseal® Curtain Wall Batts

Applicable Product Codes

THICKNESS (mm)	NOMINAL LENGTH (m)	NOMINAL WIDTH (mm)	PIECES PER PACK	LINEAL METRES PER PACK (m)	PRODUCT CODE
#50	1.2	120	18	21.6	125082^#

^ AS/NZS 1530.3 Test Report available.

Product discontinued 31st August 2024.

Additional Product Data

PROPERTY	STANDARD	RESULT
Density	Nominal	75 kg/m ³
Non-Combustibility	When assessed to AS 1530.1	Non - Combustible
Fire Hazard Properties	When assessed in accordance with AS/NZS 1530.3	<ul style="list-style-type: none"> • Ignitability: 0 • Spread of flame: 0 • Heat Evolved: 0 • Smoke Developed: 1

Other Accreditation



FBS-1 Rockwool - The fibre component of these products is listed by Safe Work Australia as Man-made Vitreous Fibre (Rockwool) of low bio persistence as specified under Note Q in the Australian Hazardous Substances Information System and in the Australian Approved Criteria documentation. In accordance with EU ATP 31 (2009) these fibres are not classified as an irritant, or as carcinogenic. Refer to the product SUIS/MSDS at Bradfordinsulation.com.au for more information.