

Bradford Fireseal® Party Wall Batts

Refer to product table below for applicable product codes covered by this document

Issue **D**

Product Type & Application

Bradford Fireseal® Party Wall Batts are non-combustible, plain (unfaced) Rockwool insulation. These products are primarily intended for use as inter-tenancy wall insulation in Class 1 Buildings only. For any other application that is not a Class 1 Building, please consult with the relevant project certifier, fire engineer or other principal certification authority on suitability for the application.

Compressed: May be used as a non-structural element in an FRL system.

Uncompressed: May be used as thermal insulation with an R-value of R2.80.

This product cannot be used for both purposes simultaneously.

Compliance with the NCC

For use in Australia, when correctly specified and installed, this product provides the following compliance:

NCC 2022

- **Non-Combustibility** - Meets the non-combustible requirements of NCC 2022 Volume 1 C2D10(1) when assessed in accordance with AS 1530.1.
- **Fire Hazard Properties** - Meets the requirements of the NCC 2022 Volume 1, S7C7 for insulation materials. When assessed to AS/NZS 1530.3 this product does not exceed the 'Spread of Flame' or 'Smoke Developed' indices of Table S7C7.
- **Thermal** - When uncompressed this product complies with NCC 2022 Volume 1 J4D3(1) and ABCB Housing Provisions Standard 2022 13.2.2(1). This product meets the requirements of the NCC through compliance with AS/NZS 4859.1.
- **Fire Protection of Separating Walls** - Meets the definition of 'mineral fibre' in the Deemed to Satisfy requirements for Separating Walls in the ABCB Housing Provisions Standard 2022 9.3.1(4) (b).

NCC 2019

- **Non-Combustibility** - Meets the non-combustible requirements of NCC 2019 Volume 1 Amend. 1 C1.9(a) when assessed in accordance with AS 1530.1.
- **Fire Hazard Properties** - Meets the requirements of the NCC 2019 Volume 1 Amend. 1, Specification C1.10 Clause 7 for insulation materials. When assessed to AS/NZS 1530.3 this product does not exceed the 'Spread of Flame' or 'Smoke Developed' indices of Specification C1.10 Clause 7.

Compliance with the NCC cont. NCC 2019 cont.

- **Thermal** - When uncompressed this product complies with NCC 2019 Volume 1 Amend. 1 Section J1.2(a), NCC 2019 Volume 2 Amend. 1 Section 3.12.1.1(a), and all state-prescribed variations. This product meets the requirements of the NCC through compliance with AS/NZS 4859.1.
- **Fire Protection of Separating Walls** - Meets the definition of 'mineral fibre' in the Deemed to Satisfy requirements for Separating Walls in NCC 2019 Volume 2 Amend. 1 3.7.3.2(d)(ii).

Limitations of Use

- **IMPORTANT:** Do Not Modify This Product: Compliance with the evidence of suitability data referenced in this document is only achieved by the product or configuration listed in this PTS.
- This product does not meet the fusion temperature requirements of AS 1668.1 – The use of ventilation and air conditioning in buildings, 2.3.2.
- This product is not suitable for use as an exposed internal wall or ceiling lining in applications which require a Group Number in accordance with AS ISO 9705 and AS 5637.1 (NCC 2019 Volume 1 Amend. 1, Specification C1.10 Clause 4, NCC 2022 Volume 1 S7C4).
- Unfaced Rockwool is not a water or vapour barrier and is not suitable for water or vapour control.
- Not suitable for use in BAL-FZ.
- AS 1530.4 assessment 24824 by Warringtonfire demonstrates the anticipated non-structural FRL in the systems nominated in the assessment. The suitability of this product for the specific system requirements in an application must be confirmed by the relevant project certifier, fire engineer or other principal certification authority.
- Products cannot be used as thermal insulation and as a non-structural element in an FRL system simultaneously.

Rockwool Fireseal® Party Wall Batts

Conditions of Storage, Use & Maintenance

- Store in the original packaging in a cool, dry area, away from foodstuffs. Ensure packages are adequately labelled, protected from physical damage, and sealed when not in use. Avoid packaging being stored under UV light (direct sunlight) for long periods.

Refer to the product SUIS/MSDS at Bradfordinsulation.com.au for more information.

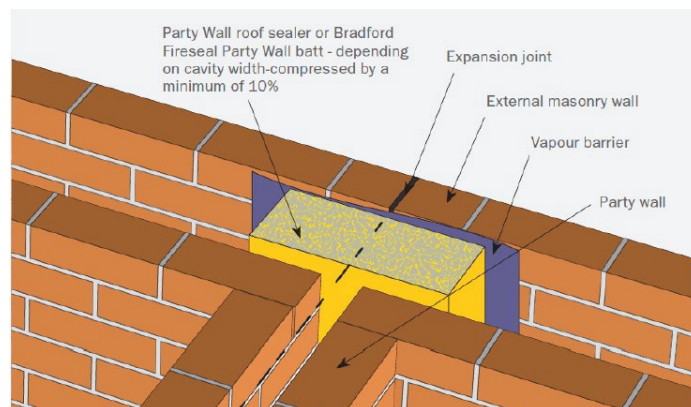
Evidence of Suitability

- Testing and Professional Assessment, AS 1530.1 -
 - Warringtonfire Assessment FAS210056.
- Testing and Professional Assessment, AS/NZS 1530.3 -
 - Warringtonfire Assessment FAS210154.
 - Warringtonfire Assessment FAS200045.
- Testing and Professional Assessment, AS 1530.4 -
 - Warringtonfire Assessment 24824. Please see **Limitations of Use** for details.
 - Warringtonfire Assessment FAS200041 for external wall junctions where cavity width is $\leq 50\text{mm}$.
- Testing to AS/NZS 4859.1 in the following report, on nominal (uncompressed) thickness -
 - CSR Lab Report R-20121.

Specific Design or Installation Instructions

- Isolate power before installation.
- **Caution:** Electrical cables and equipment partially or completely surrounded with bulk thermal insulation may overheat and fail. In new build construction with electrical wiring in accordance with AS/NZS 3000:2018 or later, wiring may be partially or completely surrounded for up to 400mm. If more than 400mm is surrounded, or for wiring pre AS/NZS 3000:2018, seek advice from a licenced electrician. Refer to legislation and referenced standards for full details or seek advice from an electrician if in doubt.
- When used for thermal insulation –
 - The product should not be installed compressed as it will not reach the stated R-value.
 - Bulk insulation must be installed so that it maintains its position and thickness, other than where it crosses water pipes, electrical cabling or the like, or roof battens in Class 1 and 10 buildings, or cladding and supporting members in Class 2-9 buildings.
 - Stated thermal performance is based on bulk insulation only. The effects of thermal bridging and any added reflective R-value contributions are construction dependent and must be determined in the accordance with AS/NZS 4859.2.
- Products cannot be used as thermal insulation and as a compressed element in an FRL system simultaneously.
- Suitable for applications that specify non-combustible bulk insulation products - not suitable for exposed internal wall and ceiling lining applications that require a Group Number.
- Insulation should be installed so that it forms a continuous layer and abuts or overlaps adjoining insulation other than at supporting members such as columns, studs, noggings, joists, furring channels and the like where the insulation must butt against the member.
- Suitable for interior applications where the product is protected from direct UV light, water and wind pressure during and after installation.
- When used as an element in an FRL system –

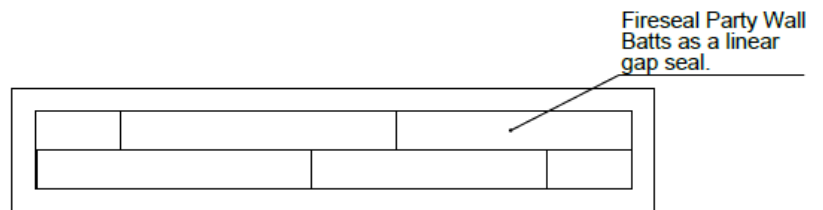
- When used as a party wall to external wall junction seal in cavities $\leq 50\text{mm}$ the Fireseal Party Wall Batt must be installed with at least 10% compression.
- When installed vertically the length of Fireseal Party Wall Batts should be accurately cut to ensure a tight fit with no gaps and abutment to adjacent batts.



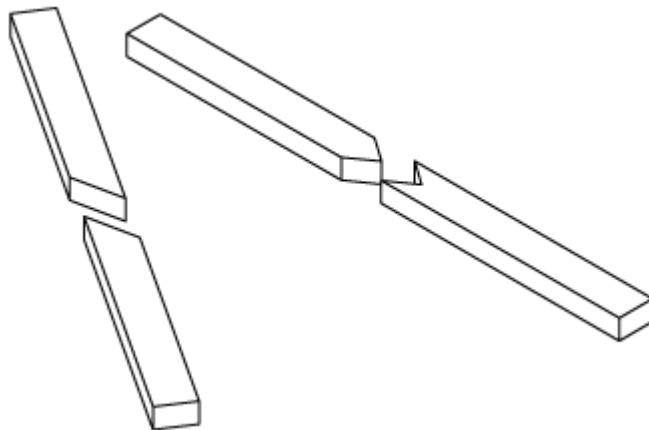
Rockwool Fireseal® Party Wall Batts

Specific Design or Installation Instructions cont.

- Fireseal Party Wall Batts must be installed with at least 15% compression against adjoining members when sealing a linear gap— for example use a 50mm thick product for a 42.5mm opening.
- This product can be used for gaps 10-425mm high and 100-330mm deep.



- To extend the length of a Fireseal Party Wall Batt, cut an angled or wedge profile at the end of each batt to be joined to create a spliced joint.



- Joints in an installation with multiple stacked batts must be staggered vertically.



For general installation guidance refer to the product installation guide at Bradfordinsulation.com.au

Supplementary information - Additional installation guidance for this product can be found in AS3999.

Applicable Product Codes

R-VALUE (m ² K/W)*	THICKNESS (mm)	NOMINAL LENGTH (m)	NOMINAL WIDTH (mm)	PIECES PER PACK	NOMINAL COVERAGE (m ² per Pack)	LINEAL METERS PER PACK (m)	PRODUCT CODE
R2.80	100	1.2	168	5	1.08	6	119161

*The stated R-value can be met when used uncompressed as thermal insulation. It will not be achieved if the product is installed compressed as an element in an FRL system.

Rockwool Fireseal® Party Wall Batts

Additional Product Data

PROPERTY	STANDARD	RESULT
Density		75 kg/m ³
Non-Combustibility	When assessed to AS 1530.1	Non – Combustible
Fire Hazard Properties	When assessed in accordance with AS/NZS 1530.3	<ul style="list-style-type: none"> • Ignitability: 0 • Spread of flame: 0 • Heat Evolved: 0 • Smoke Developed: 1

Other Accreditation

FBS-1 Rockwool - The fibre component of these products is listed by Safe Work Australia as Man-made Vitreous Fibre (Rockwool) of low bio persistence as specified under Note Q in the Australian Hazardous Substances Information System and in the Australian Approved Criteria documentation. In accordance with EU ATP 31 (2009) these fibres are not classified as an irritant, or as carcinogenic.

Refer to the product SUIS/MSDS at Bradfordinsulation.com.au for more information.